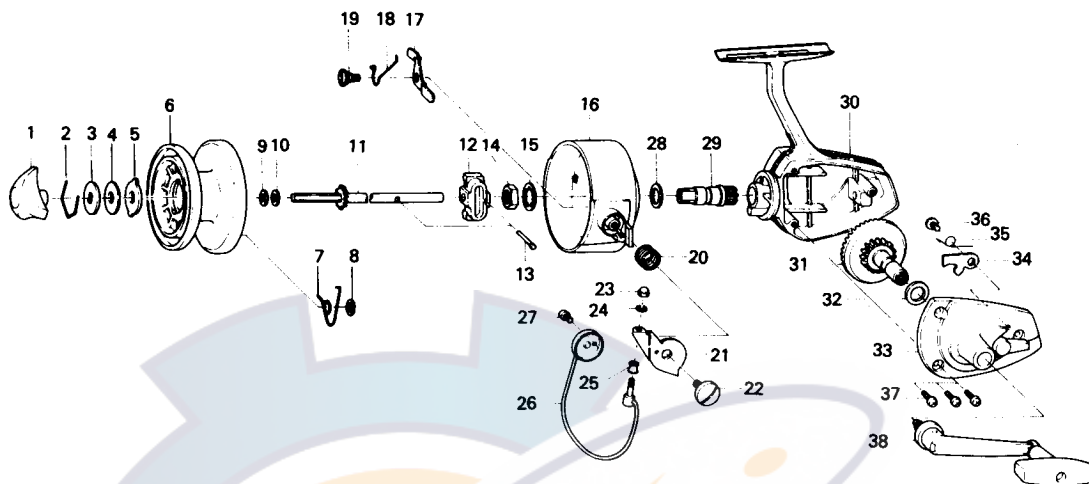


SPINNING REEL **403**



LINE CAPACITY: 275 YDS. 8 LB. TEST (250m. 3.6kg)

Key No. 2 ~ 8

6-732-2001 Spool assembly \$2.25

Key No.	Parts No.	Parts Name	Price Per Piece	Key No.	Parts No.	Parts Name	Price Per Piece
1	6-740-3001	Drag knob	\$1.35	20	6-140-9231	Bail spring	\$.15
2	6-170-5201	Drag washer retainer	.10	21	6-230-7011	Arm lever	.30
3	6-374-7901	Drag D washer	.15	22	6-363-1311	Arm lever screw	.60
4	6-370-6901	Disc washer	.15	23	6-341-9901	Bail nut	.20
5	6-372-4701	Drag A washer	.10	24	6-160-0121	Bail washer	.10
6	6-513-0311	Spool	N/A	25	6-250-3801	Line roller	.40
7	6-141-1611	Spool click claw	.20	26	6-725-6801	Bail	1.40
8	6-320-9701	Spool click claw retainer	.15	27	6-352-0401	Bail holder screw	.10
9	6-374-6401	Spool washer	.10	28	6-371-6420	Pinion washer	.10
10	6-374-6400	Spool adjusting washer	.10	29	6-402-6501	Pinion gear	.75
11	6-711-1801	Main shaft	.70	30	6-700-8902	Body	3.50
12	6-481-1601	Oscillating slider	.35	31	6-413-5301	Drive gear	1.00
13	6-490-4301	Oscillating slider pin	.10	32	6-371-2820	Drive gear washer	.10
14	6-340-6602	Rotor nut	.20	33	6-706-4001	Body cover	1.00
15	6-160-1612	Rotor washer	.10	34	6-111-5501	Anti-reverse claw	.10
16	6-201-9001	Rotor	2.75	35	6-144-6111	Anti-reverse claw spring	.10
17	6-570-9511	Bail kick lever	.50	36	6-350-1931	Anti-reverse claw screw	.10
18	6-140-6231	Bail kick lever spring	.10	37	6-351-8501	Body cover screw	.10
19	6-361-1512	Bail kick lever screw	.25	38	6-746-5301	Handle	2.35